



HPA-BB

*Automatic Case Sealer
With Bottom Belt Drive*

- Frame is 3/16" steel construction
- Top sealing
- Optional stainless construction with Nema 4 or Nema 4X
- Machines available in 80" & 102"
(Other sizes also available)
- Can be sealed with hotmelt glue, tape or a combination of both
- Closes and seals a wide range of cases sizes
- Right-hand or left-hand controls available
- Easily adjustable
- Hand crank or motorized adjustments
- Designed for 24/7 operation

MARQ
PACKAGING SYSTEMS

A division of Marquis Operating Limited Partnership

Proudly
Associated With:



Here is a basic machine that's adaptable, versatile and flexible enough to meet your changing needs as you grow. Available in 80" and 102" lengths, this machine has the durability to run up to three shifts per day without a hitch. Its bottom-belt drive guides the case through the machine as the top major and minor flaps are folded and sealed.

This machine is available for use with pressure sensitive tape or hotmelt glue. Simplified flap folding, easy adjustability, and a heavy duty welded 3/16" steel frame with a powder coated finish. As with all of MARQ's equipment, this machine is built to withstand the daily rigors of 24/7/365 applications.

Talk to a MARQ representative to see why this machine could work best for your application. 800-998-4301 | www.marq.net

Standard Features

- Wiring practices conform to NFPA standards
- Operator friendly design
- Quick changeover
- Fully guarded
- UL508A listed electrical panels

Operational Requirements



**80
PSI**



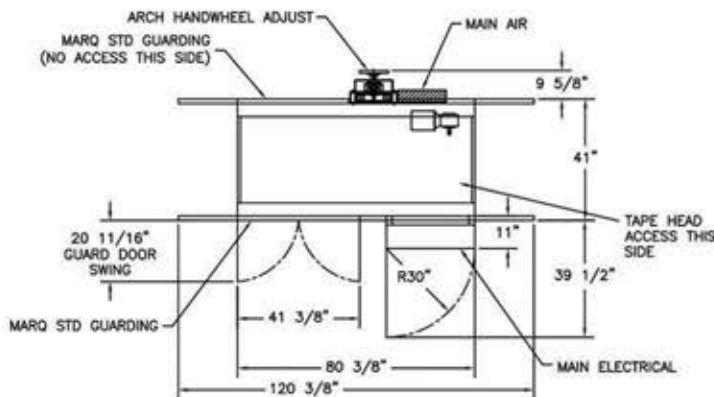
**THREE
PHASE**



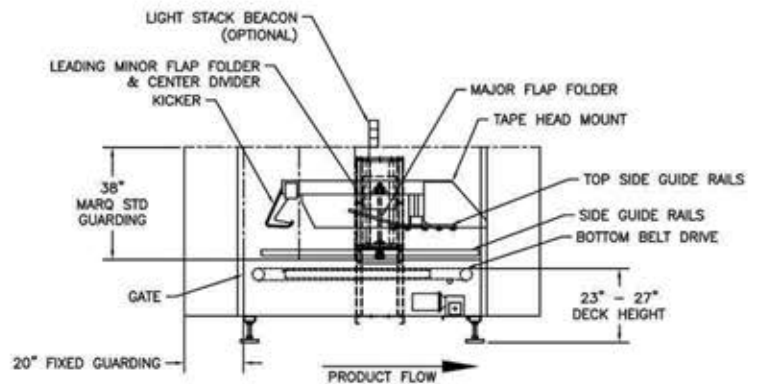
**230/460
VOLTS AC**

FOOTPRINT

TOP VIEW



SIDE VIEW



3801 W Washington Ave | Yakima WA | 800.998.4301 | marq.net