



HPR-SS-BB

*Random Side Flange Bliss Case Sealer
With Bottom Belt Drive*

- Frame is 3/16" steel construction
- Stainless steel shafting
- Optional stainless steel package
- Corrosion resistant components
- Epoxy-coated paint
- Closes and seals cases of random heights
- Hotmelt glue sealing
- Bottom-belt drive system
- Right-hand or left-hand controls available
- Designed for 24/7 operation

MARQ
PACKAGING SYSTEMS

A division of Marquis Operating Limited Partnership

Proudly
Associated With:



MARQ's High Performance Bottom Belt Drive Random Side Flange Bliss Case Sealer can accommodate bliss cases of fixed width and random heights, folding the major flaps and sealing the side tabs with hotmelt glue.

Industries who prefer this type of case sealer include poultry, beef and pork.

All of our sealers are built to withstand 24/7 operation and feature corrosion resistant materials and easy adjustability that takes only minutes. This is the most durable, versatile, hard working machine you will find. MARQ uniform sealers are available in standard, medium and large frame models depending on customer application.

Talk with a MARQ representative to see why this machine could work best for your application.

FOOTPRINT

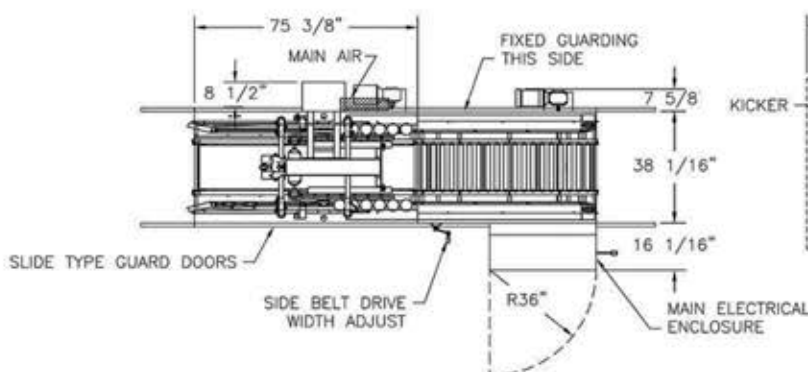
Standard Features

- Wiring practices conform to NFPA standards
- Operator friendly design
- Quick changeover
- Fully guarded
- Continuous feed hopper
- UL508A listed electrical panels

Operational Requirements



TOP VIEW



SIDE VIEW

