



HPRG-SLD

*Random Gap Flap Case Sealer
with Side Lug Drive*

- Frame is 3/16" steel construction
- Glue sealing
- Designed for 24/7 operation
- Polycarbonate guarding package
(Custom design requests also available)
- Side lug transfer system
- Right-hand or left-hand controls available
- Automatically seals RSC & RSC Gap with no operator involvement

MARQ
PACKAGING SYSTEMS

A division of Marquis Operating Limited Partnership

Proudly
Associated With:



Gap Flap cases help you save corrugated costs by using less materials to create each case. This High Performance Random Case Sealer from MARQ Packaging is ideal for closing and sealing RSC and RSC Gap Flap style cases. Cases are transferred squarely through the machine by side lug drive where the flaps are automatically folded and sealed with hotmelt glue.

This machine features simplified flap folding, easy adjustability, and a heavy duty 3/16-inch steel frame with a powder coated finish. Stainless steel construction is also available. As with all of MARQ's equipment, this machine is built to withstand the daily rigors of 24/7/365 applications.

Talk to a MARQ representative to see why this machine could work best for your application.

Standard Features

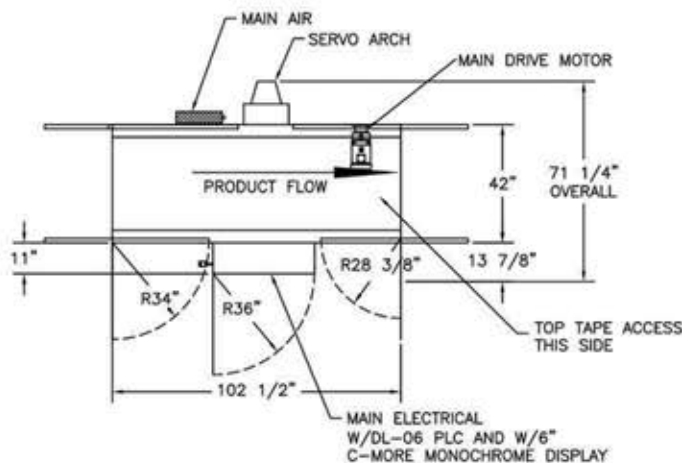
- Wiring practices conform to NFPA standards
- Operator friendly design
- Quick changeover
- Fully guarded
- Continuous feed hopper
- UL508A listed electrical panels

Operational Requirements



FOOTPRINT

TOP VIEW



SIDE VIEW

