



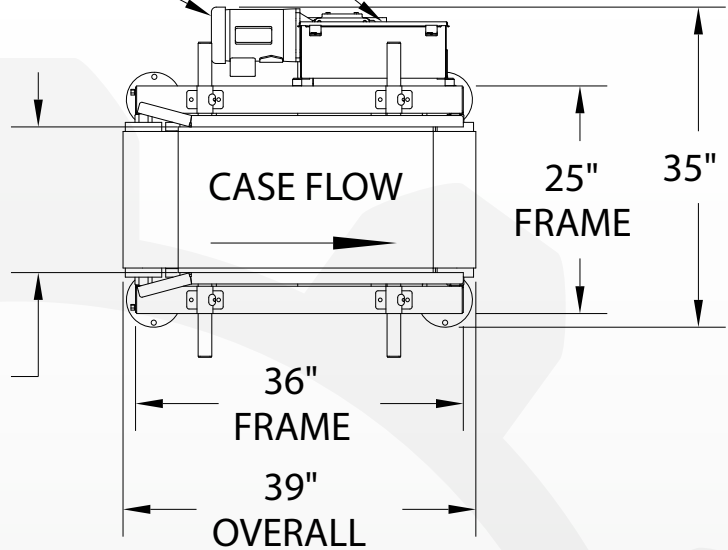
# MARQ's

## New Innovations

Info@marq.net • 1-800-998-4301

### MAIN ELECTRICAL AND CONTROLS

DRIVE MOTOR



16" MAX  
WIDTH

CASE FLOW

25"  
FRAME

35"

36"  
FRAME

39"  
OVERALL

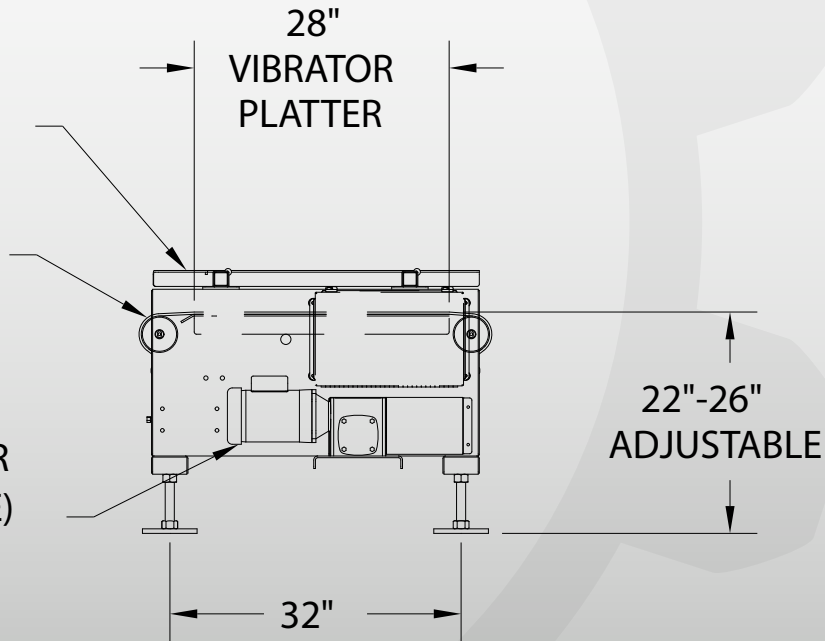
ELECTRICAL

1. 115 VAC
2. 1 PHASE
3. CYCLE CONTROLS 60

GUIDE RAILS

15in WIDE BOTTOM  
BELT DRIVE

DRIVE MOTOR  
(FARSIDE)



28"  
VIBRATOR  
PLATTER

22"-26"  
ADJUSTABLE

32"

OWNERSHIP - PROPRIETARY DATA LEGEND

THIS DOCUMENT AND THE INFORMATION CONTAINED THEREIN IS THE PROPERTY OF MARQ PACKAGING SYSTEMS, INC. RECIPIENT AGREES NOT TO: (1) USE SUCH INFORMATION FOR PURPOSES OTHER THAN THOSE EXPRESSLY AUTHORIZED BY MARQ PACKAGING SYSTEMS, INC.; AND, (2) FURNISH SUCH INFORMATION TO ANY OTHER PERSON IN WHOLE OR IN PART FOR ANY PURPOSE WHATSOEVER, WITHOUT THE EXPRESS AUTHORIZATION OF MARQ PACKAGING SYSTEMS, INC. RECIPIENT ALSO AGREES NOT TO REPRODUCE OR COPY THIS DOCUMENT EITHER IN WHOLE OR IN PART WITHOUT THE PRIOR EXPRESS WRITTEN PERMISSION OF MARQ PACKAGING SYSTEMS, INC.; AND, TO PROMPTLY RETURN THIS DOCUMENT TO MARQ PACKAGING SYSTEMS, INC. UPON THE RECEIPT OF A WRITTEN REQUEST THEREFOR.

# HPV-ZS-BB